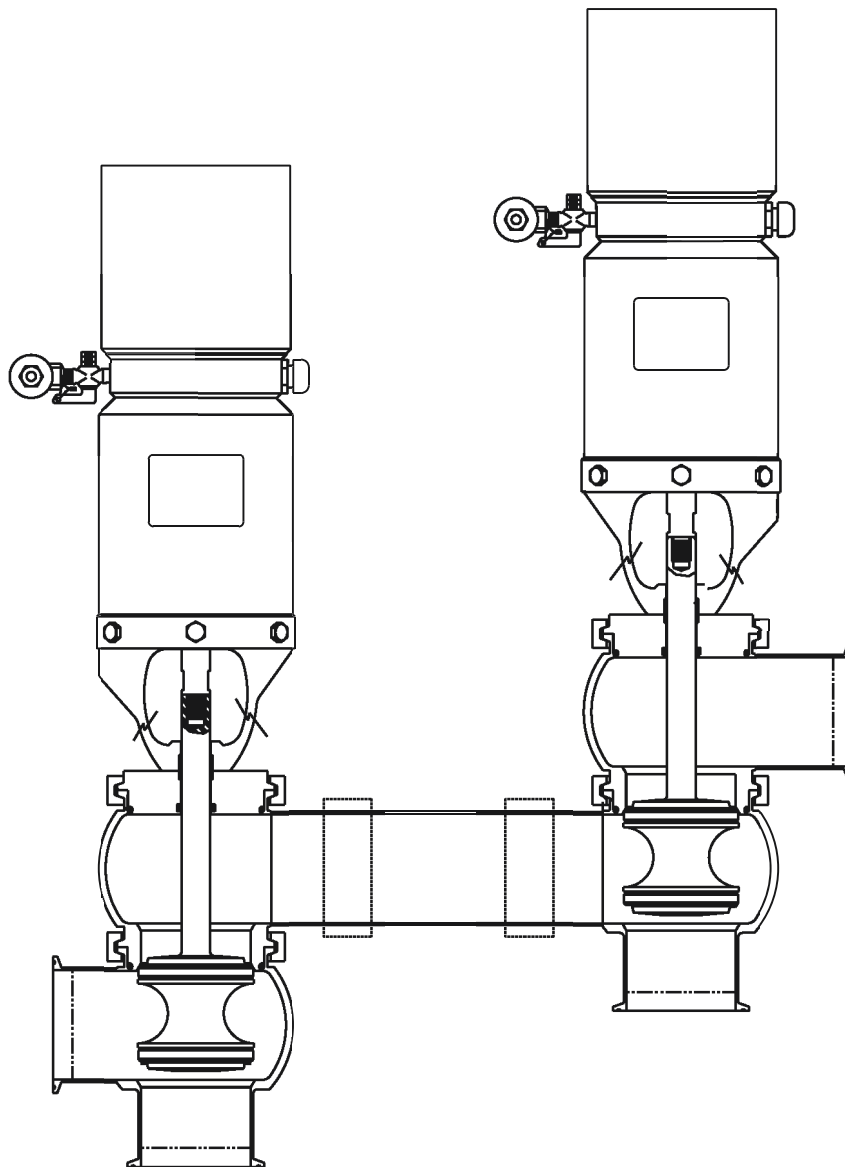


W262 / W282 FD HTST Divert Valves

WITH THE W-SERIES 2-PIECE CONTROL MODULE

FORM NO.: 95-03081 REVISION: 01/2020

READ AND UNDERSTAND THIS MANUAL PRIOR TO OPERATING OR SERVICING THIS PRODUCT.



SPX FLOW, Inc.
611 Sugar Creek Road
Delavan, WI 53115 USA

Tel: (800) 252-5200 or (262) 728-1900
Fax: (800) 252-5012 or (262) 728-4904

E-mail: wcb@spxflow.com
Web site: www.spxflow.com

Information contained in this manual is subject to change without notice and does not represent a commitment on the part of SPX FLOW, Inc.. No part of this manual may be reproduced or transmitted in any form or by any means, electronic or mechanical, including photocopying and recording, for any purpose, without the express written permission of SPX FLOW, Inc.

Copyright © 2020 SPX FLOW, Inc.
All Rights Reserved.

Tef-Flow is a trademark of SPX FLOW, Inc.

Revision Date: 01/2020

Publication: 95-03081

Warranty	4
Shipping Damage or Loss	4
Warranty Claim	4
Safety	5
Care of Component Materials	6
Stainless Steel Corrosion	6
Elastomer Seal Replacement Following Passivation	6
Introduction	7
Specifications	7
Features	7
Installation	9
Dimensions	9
Control Module Routing for Compressed Air, Vent and Wiring	10
Solenoids Operation	11
W262 / W282 Single Seat Solenoid and Port Arrangements	11
Control Module Wiring	12
Operation	13
Operating Modes	13
Maintenance	16
Maintenance Intervals	16
Inspection	16
Lubrication	16
Cleaning	16
Micro Switch	17
Disassembly	18
Assembly	19
Removal and Installation of Tef-Flow™ P Seat Rings	22
Inspection Test Procedures	23
Test 1 - Device Assembled Correctly	23
Test 2 - Time Delay Interlock with Metering Pump	24
Test 3 - CIP Time Delay Relay	24
APC Control Panel Switch Adjustment for W262 and W282	25
Troubleshooting	27
Parts Lists	28
W-Series 2 Piece Control Module with Micro Switches	28
W262 / W282 FD HTST Divert Valves	30
W262 / W282 4" and 5" Actuators	32
W262 / W282 6" Actuator	34
Installation Tools	36

Warranty

LIMITED WARRANTY: Unless otherwise mutually agreed to in writing, (a) SPX FLOW US, LLC (SPX FLOW) goods, auxiliaries and parts thereof are warranted to the Buyer against defective workmanship and material for a period of twelve (12) months from date of installation or eighteen (18) months from date of delivery, whichever expires first, and (b) SPX FLOW services are warranted to Buyer to have been performed in a workman-like manner for a period of ninety (90) days from the date of performance. If the goods or services do not conform to the warranty stated above, then as Buyer's sole remedy, SPX FLOW shall, at SPX FLOW's option, either repair or replace the defective goods or re-perform defective services. If Buyer makes a warranty claim to SPX FLOW and no actual defect is subsequently found, Buyer shall reimburse SPX FLOW for all reasonable costs which SPX FLOW incurs in connection with the alleged defect. Third party goods furnished by SPX FLOW will be repaired or replaced as Buyer's sole remedy, but only to the extent provided in and honored by the original manufacturer's warranty. Unless otherwise agreed to in writing, SPX FLOW shall not be liable for breach of warranty or otherwise in any manner whatsoever for: (i) normal wear and tear; (ii) corrosion, abrasion or erosion; (iii) any good or services which, following delivery or performance by SPX FLOW, has been subjected to accident, abuse, misapplication, improper repair, alteration (including modifications or repairs by Buyer, the end customer or third parties other than SPX FLOW), improper installation or maintenance, neglect, or excessive operating conditions; (iv) defects resulting from Buyer's specifications or designs or those of Buyer's contractors or subcontractors other than SPX FLOW; or (v) defects resulting from the manufacture, distribution, promotion or sale of Buyer's products; (vi) damage resulting from the combination, operation or use with equipment, products, hardware, software, firmware, systems or data not provided by SPX FLOW, if such damage or harm would have been avoided in the absence of such combination, operation or use; or (vii) Buyer's use of the goods in any manner inconsistent with SPX FLOW's written materials regarding the use of such product. In addition, the foregoing warranty shall not include any labor, dismantling, re-installation, transportation or access costs, or other expense associated with the repair or replacement of SPX FLOW goods. THE WARRANTIES CONTAINED HEREIN ARE THE SOLE AND EXCLUSIVE WARRANTIES AVAILABLE TO BUYER AND SPX FLOW HEREBY DISCLAIMS ANY OTHER WARRANTIES, EXPRESS OR IMPLIED, INCLUDING WITHOUT LIMITATION THE IMPLIED WARRANTIES OF MERCHANTABILITY AND FITNESS FOR A PARTICULAR PURPOSE, ANY PERFORMANCE OR PROCESS OUTCOME DESIRED BY THE BUYER AND NOT SPECIFICALLY AGREED TO BY SPX FLOW. THE FOREGOING REPAIR, REPLACEMENT AND REPERFORMANCE OBLIGATIONS STATE SPX FLOW'S ENTIRE AND EXCLUSIVE LIABILITY AND BUYER'S EXCLUSIVE REMEDY FOR ANY CLAIM IN CONNECTION WITH THE SALE AND FURNISHING OF SERVICES, GOODS OR PARTS, THEIR DESIGN, SUITABILITY FOR USE, INSTALLATION OR OPERATIONS.

Shipping Damage or Loss

If equipment is damaged or lost in transit, file a claim at once with the delivering carrier. The carrier has a signed Bill of Lading acknowledging that the shipment has been received from SPX FLOW in good condition. SPX FLOW is not responsible for the collection of claims or replacement of materials due to transit shortage or damages.

Warranty Claim

Warranty claims must have a **Returned Material Authorization (RMA)** from the Seller or returns will not be accepted. Contact 800-252-5200 or 262-728-1900.

Claims for shortages or other errors must be made in writing to Seller within ten (10) days after delivery. This does not include transit shortage or damages. Failure to give such notice shall constitute acceptance and waiver of all such claims by Buyer.

Safety

READ AND UNDERSTAND THIS MANUAL PRIOR TO INSTALLING, OPERATING, OR SERVICING THIS EQUIPMENT

SPX FLOW recommends users of our equipment and designs follow the latest Industrial Safety Standards. At a minimum, these should include the industrial safety requirements established by:

1. Occupational Safety and Health Administration (OSHA)
2. National Fire Protection Association (NFPA)
3. National Electrical Code (NEC)
4. American National Standards Institute (ANSI)

⚠ WARNING

Severe injury or death can result from electrical shock, burn, or unintended actuation of equipment. Recommended practice is to disconnect and lockout industrial equipment from power sources, and release stored energy, if present. Refer to the National Fire Protection Association Standard No. NFPA70E, Part II and (as applicable) OSHA rules for Control of Hazardous Energy Sources (Lockout-Tagout) and OSHA Electrical Safety Related Work Practices, including procedural requirements for:

- Lockout-tagout
- Personnel qualifications and training requirements
- When it is not feasible to de-energize and lockout-tagout electrical circuits and equipment before working on or near exposed circuit parts

Before putting SPX FLOW equipment into operation, the operator shall analyze the application for all foreseeable risks, their likelihood to occur and the potential consequences of the identified risks as per ISO 31000 and ISO/IEC 31010 in their actual current version.

Locking and Interlocking Devices: These devices should be checked for proper working condition and capability of performing their intended functions. Make replacements only with the original equipment manufacturer's OEM renewal parts or kits. Adjust or repair in accordance with the manufacturer's instructions.

Periodic Inspection: Equipment should be inspected periodically. Inspection intervals should be based on environmental and operating conditions and adjusted as indicated by experience. At a minimum, an initial inspection within 3 to 4 months after installation is recommended. Inspection of the electrical control systems should meet the recommendations as specified in the National Electrical Manufacturers Association (NEMA) Standard No. ICS 1.3, Preventative Maintenance of Industrial Control and Systems Equipment, for the general guidelines for setting-up a periodic maintenance program.

Replacement Equipment: Use only replacement parts and devices recommended by the manufacturer to maintain the integrity of the equipment. Make sure the parts are properly matched to the equipment series, model, serial number, and revision level of the equipment.

Warnings and cautions are provided in this manual to help avoid serious injury and/or possible damage to equipment:

⚠ DANGER

Immediate hazards which WILL result in severe personal injury or death.

⚠ WARNING

Hazards or unsafe practices which COULD result in severe personal injury or death.

⚠ CAUTION

Hazards or unsafe practices which COULD result in minor personal injury or product or property damage.

Care of Component Materials

NOTE: SPX FLOW recommends the use of an FDA-approved anti-seize compound on all threaded connections.

⚠ WARNING

Failure to comply with the Care of Component Materials could lead to bodily injury.

Stainless Steel Corrosion

Corrosion resistance is greatest when a layer of oxide film is formed on the surface of stainless steel. If film is disturbed or destroyed, stainless steel becomes much less resistant to corrosion and may rust, pit or crack.

Corrosion pitting, rusting and stress cracks may occur due to chemical attack. Use only cleaning chemicals specified by a reputable chemical manufacturer for use with stainless steel. Do not use excessive concentrations, temperatures or exposure times. Avoid contact with highly corrosive acids such as hydrofluoric, hydrochloric or sulfuric. Also avoid prolonged contact with chloride-containing chemicals, especially in presence of acid. If chlorine-based sanitizers are used, such as sodium hypochlorite (bleach), do not exceed concentrations of 150 ppm available chlorine, do not exceed contact time of 20 minutes, and do not exceed temperatures of 104°F (40°C).

Corrosion discoloration, deposits or pitting may occur under product deposits or under gaskets. Keep surfaces clean, including those under gaskets or in grooves or tight corners. Clean immediately after use. Do not allow equipment to set idle, exposed to air with accumulated foreign material on the surface.

Corrosion pitting may occur when stray electrical currents come in contact with moist stainless steel. Ensure all electrical devices connected to the equipment are correctly grounded.

Elastomer Seal Replacement Following Passivation

Passivation chemicals can damage product contact areas of this equipment. Elastomers (rubber components) are most likely to be affected. Always inspect all elastomer seals after passivation is completed. Replace any seals showing signs of chemical attack. Indications may include swelling, cracks, loss of elasticity or any other noticeable changes when compared with new components.

Introduction

Specifications

Models

W262 FD Standard Flow Diversion Valve Assembly

W282 FD Stem Flush Flow Diversion Valve Assembly

Sizes

1", 1-1/2", 2", 2-1/2", 3", 4"

Features

- Flush ports
- Snap on Tef-Flow™ P Seats
- Maintainable actuators (4", 5", 6")
- Use with existing control system
- Transparent control module (*with or without solenoid*)
- S- or I-clamp connections (*S is standard*)
- Two valves with interconnected bodies
- The spring in the actuator holds the valve in the Divert position
- Air pressure positions the valve in the Forward Flow position
- Valve bodies (divert valve and leak detect valve) produce one inspection mode, and three operating modes (Divert, Flush, and Forward Flow)

Effective Area of Actuators

4" AL = 12.12 in² (78.19 cm²)

5" AL = 19.19 in² (123.8 cm²)

6" AL = 27.80 in² (179.4 cm²)

Air Supply Requirements

Minimum Air Pressure: 50 psi (3.4 bar) for standard springs
75 psi (5.2 bar) for heavy-duty springs

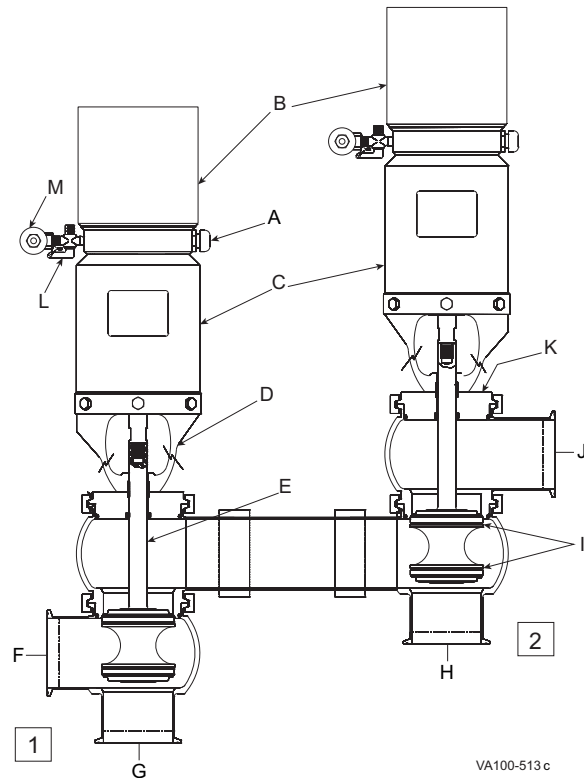
Air Pressure Range: 50-90 psi (3.4-6.2 bar) for standard springs
75-90 psi (5.2-6.2 bar) for heavy-duty springs

Air Volume Required: 4" AL = 14.0 in³ (29.4 cm³)
5" AL = 27.1 in³ (444.1 cm³)
6" AL = 33.1 in³ (542.4 cm³)

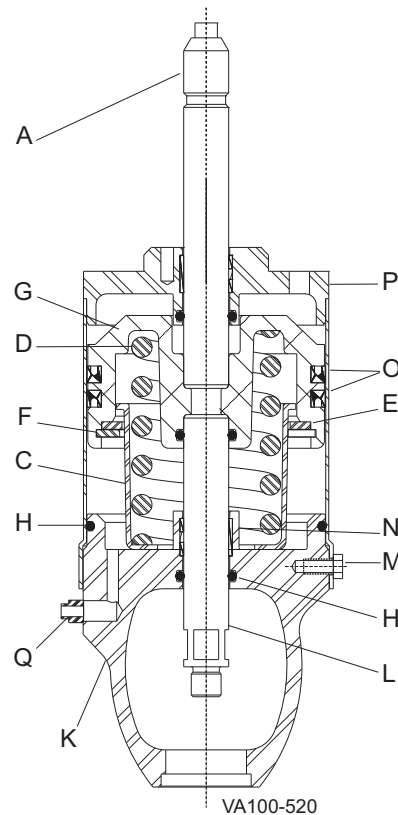
AL = Air-to-Lower

Callouts for Figure 1:

1. Divert Valve
 2. Leak Detect Valve
- A. Control Wire Connection
 - B. Control Module
 - C. Actuator
 - D. Yoke
 - E. Stem
 - F. Inlet Port
 - G. Divert Port (to balance tank)
 - H. Leak Detect Port (to balance tank)
 - I. Seat Ring
 - J. Forward Flow Port
 - K. Adapter
 - L. Air Shutoff Valve
 - M. Quick Exhaust Valve

**Figure 1: Flow Diversion Valve Nomenclature****Callouts for Figure 2:**

- A. Micro Switch Indicator Stem
- C. Spring Retainer
- D. Spring
- E. Washer
- F. Retaining Ring
- G. Piston
- H. O-ring
- K. Yoke
- L. Lower Actuator Stem
- M. Cap screw
- N. Bearing
- O. U-Cup Seal
- P. Cylinder
- Q. Vent Plug

**Figure 2: Actuator Components**

Installation

Dimensions

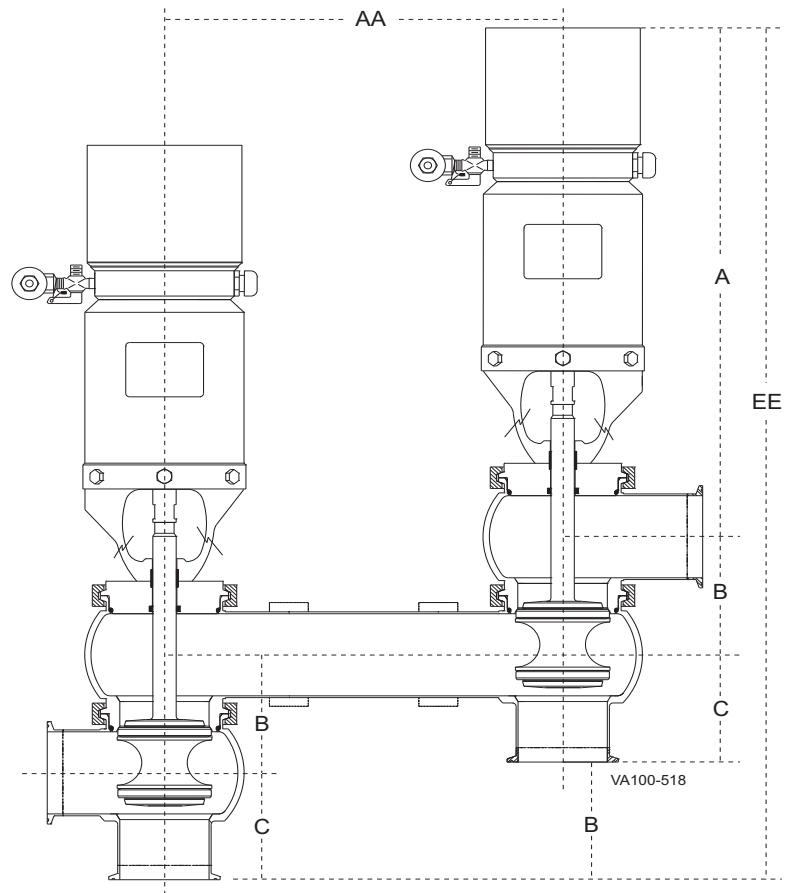


Figure 3: Valve Dimensions

Valve Size	A		A		A		B		C		C	
	4" Actuator		5" Actuator		6" Actuator				I-Line		S-Line	
	in	mm	in	mm	in	mm	in	mm	in	mm	in	mm
1"	16.7	424	18.0	457	20.1	511	2.6	67	3.8	95	3.1	79
1-1/2"	16.7	424	18.0	457	20.1	511	2.6	67	3.2	81	2.8	70
2"	17.0	431	18.3	464	20.4	517	3.1	79	4.0	102	3.5	89
2-1/2"	-	-	18.5	470	20.6	523	3.6	92	4.2	106	3.5	89
3"	-	-	-	-	20.9	530	4.1	105	4.5	113	3.8	95
4"	-	-	-	-	21.3	542	5.1	130	5.2	132	4.5	114

Valve Size	Actuator		AA		EE		EE	
					I-Line		S-Line	
	in	mm	in	mm	in	mm	in	mm
1"	4	102	7.9	200	23.1	586	22.5	570
	5	127	7.9	200	24.4	620	23.8	604
	6	152	7.9	200	26.5	673	25.9	657
1-1/2"	4	102	7.9	200	22.5	572	22.1	561
	5	127	7.9	200	23.8	605	23.4	594
	6	152	7.9	200	25.9	658	25.5	647
2"	4	102	7.9	200	24.1	612	23.6	599
	5	127	7.9	200	25.4	646	24.9	632
	6	152	7.9	200	27.5	699	27.0	685
2-1/2"	5	127	7.9	200	26.3	668	25.6	651
	6	152	7.9	200	28.4	721	27.7	704
3"	6	152	8.4	213	29.5	748	28.7	730
4"	6	152	8.4	214	31.7	804	30.9	786

VA100-813

Control Module Routing for Compressed Air, Vent and Wiring

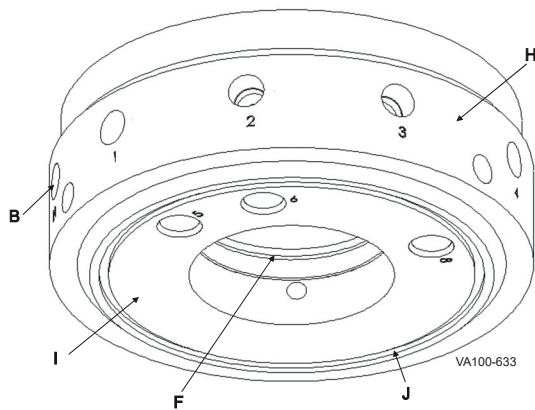


Figure 4: Base Underside View

- A. V-Groove Plenum with air supply channels
- B. Air-In
- C. Setscrew
- D. Vent
- E. Wire

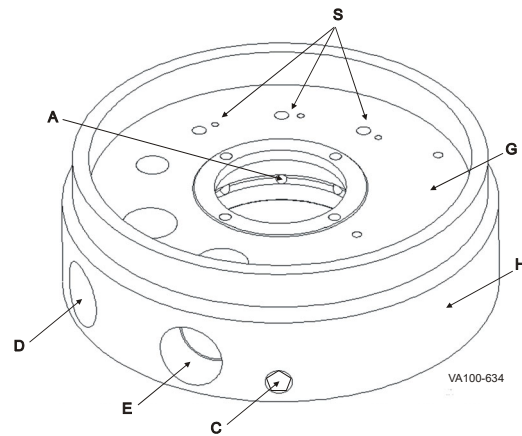


Figure 5: Base Top View

- F. Inside Diameter
- G. Top
- H. Side
- I. Underside
- J. O-Ring
- S. Solenoid Mount

Compressed air is routed through the base from **Air-In** (item B) to a V-groove air-plenum (item A) in the inside diameter (item F). Supply channels from the plenum feed each of three (3) threaded solenoid mounts (item S) on top. An energized solenoid passes air to the non-threaded outlet hole, feeding the corresponding side (item H) and underside (item I) air ports.

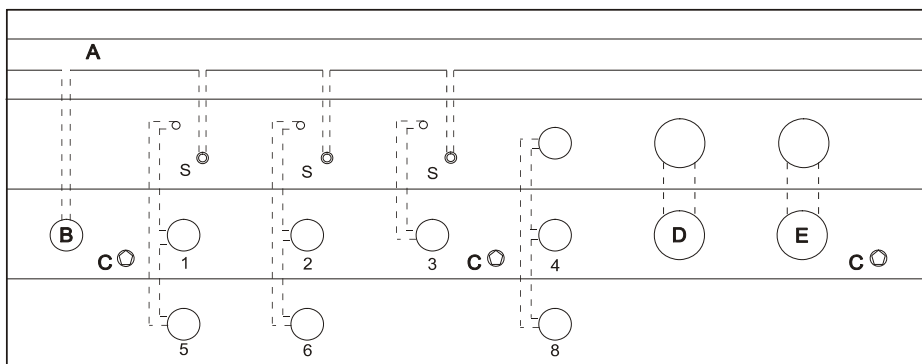
For air routed to the top of an actuator, i.e., W262/W282 Air-to-Lower, the side port is plugged and the underside port is open.

For unused solenoid ports, both the side and underside ports are plugged, and the top threaded mount is plugged.

Vent air from the top of the actuator is routed through the control module base via underside port no. 8. A venting plug and O-ring are used to connect the actuator port to port no. 8. Vent air passes through the module to the side vent plug (item D) in the base.

Wiring is routed inside the control module from the side port (item H) to the joined top port. A cable strain relief or optional pin-connector is used on the side port.

Installation of the top is secured using three (3) setscrews (item C) in the side of the base.



- F A. V-Groove Air Plenum
- B. Air-In
- C. Setscrew
- G D. Vent
- E. Wire
- H F. Inside Diameter View
- G. Top View
- H. Side View
- I. Underside View
- S. Solenoid Mount

Figure 6: Routing for Compressed Air, Vent and Wiring

Solenoids Operation

Barrel-Type Solenoid

- 24VDC (5-25VDC) typically used on all valves
- Typically one (1) solenoid used
- Ports in the base are numbered
- 120VAC (50-60Hz) solenoid is available

Solenoid Operation

Solenoids direct compressed air through the ports in the base of the control module to drive the motion of the valve. For the solenoid to work correctly and achieve the required valve condition, specific ports must be open or plugged. Many configurations are possible. Figure 7 lists the appropriate configurations for W262/W282 valves. Prior to startup, perform a functional test on each valve by applying compressed air.

W262 / W282 Single Seat Solenoid and Port Arrangements

Valve Configuration	Solenoid Location 1	Solenoid Location 2	Solenoid Location 3	Port 1	Port 2	Port 3	Port 4	Port 5	Port 6	Port 8	Top Port	In Port
Single Seat - No Solenoid - AL	Plug	Plug	Plug	Plug	Plug	Plug	Open	Plug	Plug	Vent	Plug	Plug
Single Seat - 1 Solenoid - AL	Solenoid	Plug	Plug	Plug	Plug	Plug	Plug	Vent	Plug	Open	Plug	Open

Note: AL = Air to lower actuator

VA100-814

Figure 7: Single Seat Solenoid Arrangements W262/W282

NOTE: When the solenoid is used in the control module, a 1/4 inch diameter poly-flo tube is used to connect port 1 to the air inlet in the yoke area of the actuator.

Control Module Wiring

Use the electrical schematic (Figure 8) for connecting control modules with or without an optional solenoid. The cable connected to the terminal block in the control modules should connect directly to the terminal block in the controller, without any splices.

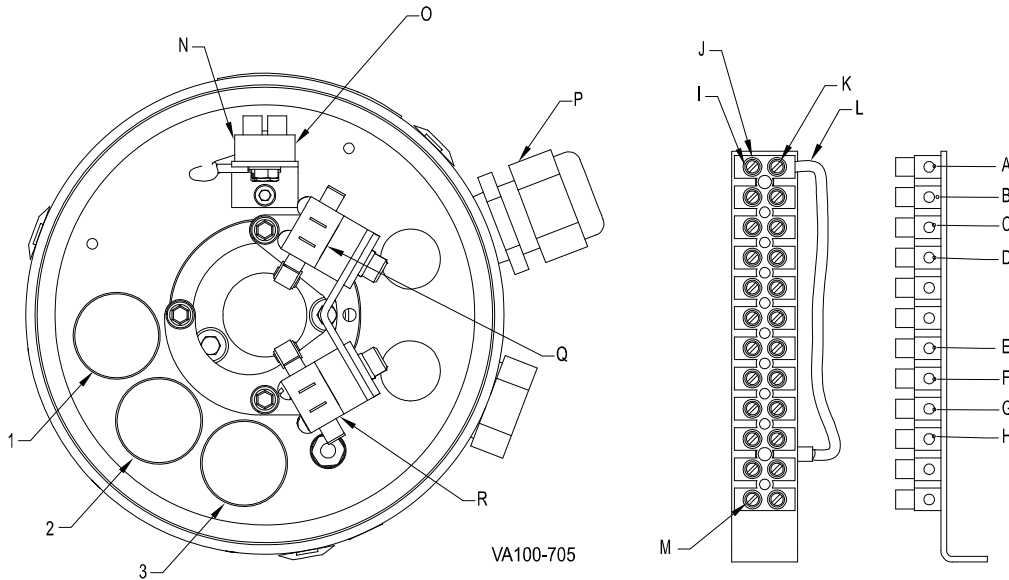


Figure 8: Control Module Wiring

- A. Ground Wire (not shown for clarity)
- B. Black Wire (Switch Common; Lower, Upper)
- C. Red Wire (Lower Switch, Normally Closed)
- D. White Wire (Upper Switch, Normally Open)
- E. Black Wire (Solenoid 1,2,3)
- F. Black Wire (Solenoid 1)
- G. Black Wire (Solenoid 2)
- H. Black Wire (Solenoid 3)
- I. Pole #1 ID on this side
- J. Pin Connector Side
- K. Switch/Solenoid Side
- L. Ground Wire
- M. Pole # 12 ID on this side
- N. Switch and Solenoid Wires this side of Terminal Block
- O. Pin Connector Wires this side of Terminal Block
- P. Cable Strain Relief or Optional Pin Connector
- Q. Upper Switch (Normally Open)
- R. Lower Switch (Normally Closed)
- 1. Solenoid Location 1
- 2. Solenoid Location 2
- 3. Solenoid Location 3

NOTE: Use the lower switch position for the W262 Valve; use the upper switch position for the W282 Valve.

Device	Wire Color	Pole Number
Ground	Green	1
Switch Common; Lower, Upper	Black	2
Lower Switch, Normally Closed	Red	3
Upper Switch, Normally Open	White	4
Not Used	-	5
Not Used	-	6
Solenoid Common: 1, 2, 3	Black	7
Solenoid 1	Black	8
Solenoid 2	Black	9
Solenoid 3	Black	10
Not Used	-	11
Not Used	-	12

Operation

Operating Modes

The Flow Diversion device consists of two (2) valves. Each is a two-position, connected by a common body. This common body is the upper body of the Divert Valve and the lower body of the Leak Detect Valve. The air-to-lower actuators of the two valves are connected to independent air supplies which cycle the valves to the three operating modes; Divert, Flush and Forward Flow. A description of the three modes follows:

Divert Mode

Divert is the first mode of operation assumed by the Flow Diversion Valve in the start-up procedure. Until a legal product temperature is reached and normal system operation is established, the product is diverted to the Balance Tank. *In Divert Mode, the stems of both valves are in the raised position.* This can be seen by checking the indicator stem in the control module. The roller arm of the Micro Switch, in both valves, will be positioned as shown in Figure 9, below.

The Divert Valve should be in the Divert position when:

- The control panel selector switch is in the Divert Position
- The control panel selector switch is in the "off" position.
- The power supply is interrupted.
- The air supply is interrupted.

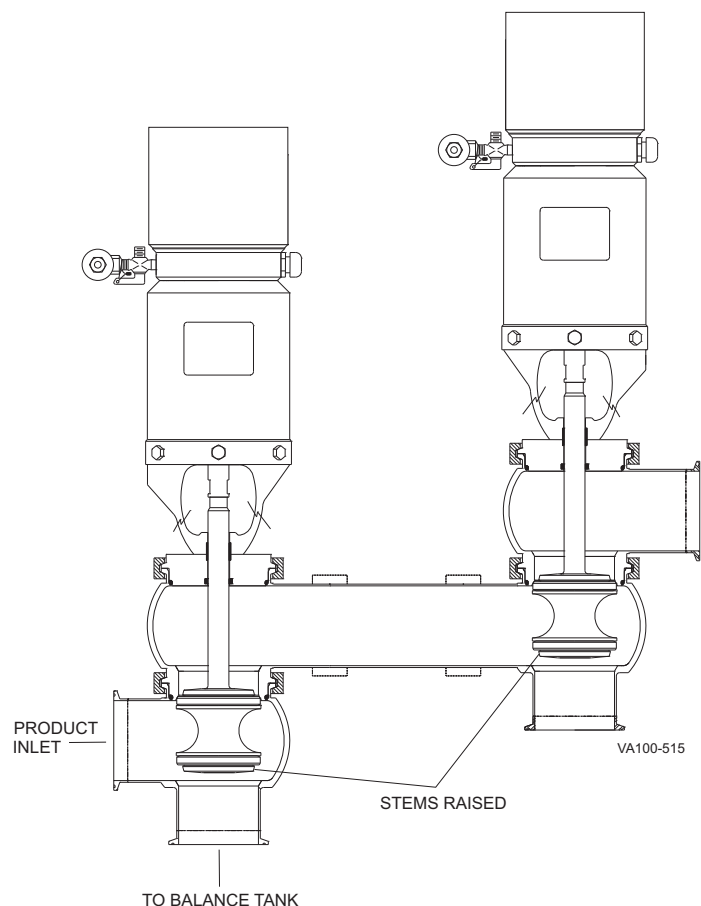


Figure 9: Divert Mode

Flush Mode

In this mode, correctly pasteurized product flushes and clears the common body between the Divert Valve and the Leak Detect Valve, prior to initiating product Forward Flow.

The flush time is controlled by a Flow Divert Valve Controller. This control system is separate from the Divert Valve, but works in conjunction with it. **The control system can be from several sources and of several designs but must be approved by the FDA prior to use.**

Product that flows through the valves in the Flush mode is returned to the Balance Tank through the Leak Detect Valve and the Return Line. This line must be separate from the Divert Product Return Line, but both of these lines return the product to the Balance Tank.

In the Flush mode, the stem of the Divert Valve will be lowered, as seen in the control module. The Leak Detect stem will be in the raised position, which is the same as when in the Divert mode. The roller arm of the Micro Switch, in both valves, will be positioned as shown in Figure 10, below.

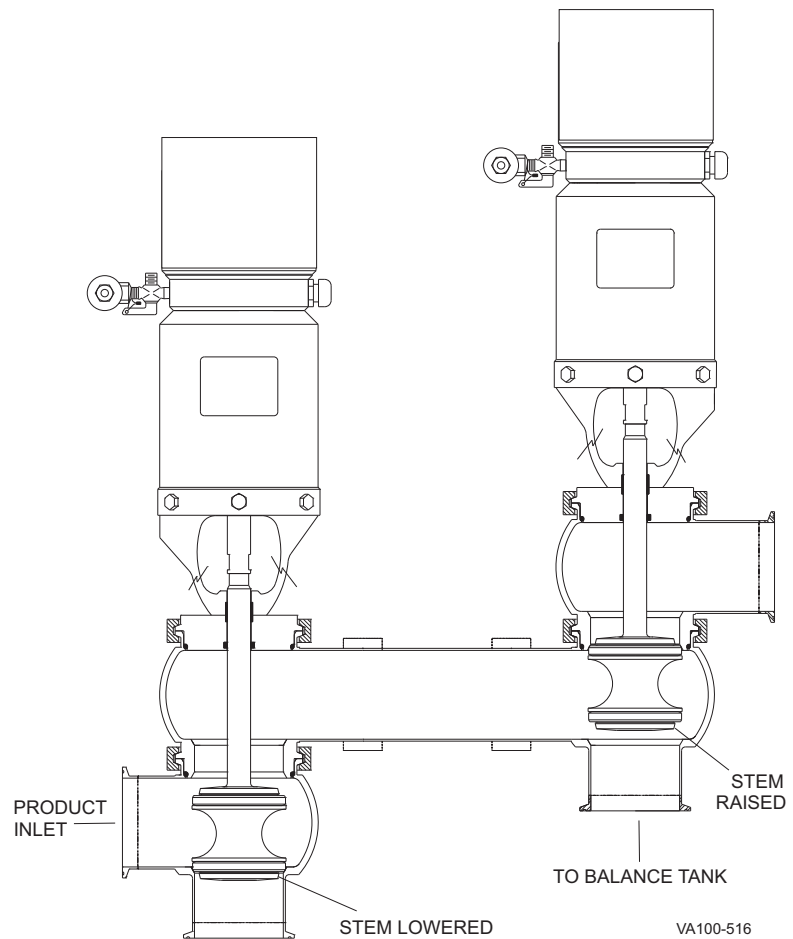


Figure 10: Flush Mode

Forward Flow Mode

Forward Flow is the final operating mode of the Flow Diversion Valve. Product flows through both valves to the cooling sections of the pasteurization system. The stems of both valves are lowered, as seen in the control module. In both valves, the roller arm of the Micro Switch will be positioned as shown in Figure 11, below.

For the Forward Flow mode to be maintained:

- The legal set temperature must be maintained.
- The power supply and air supply must be maintained.

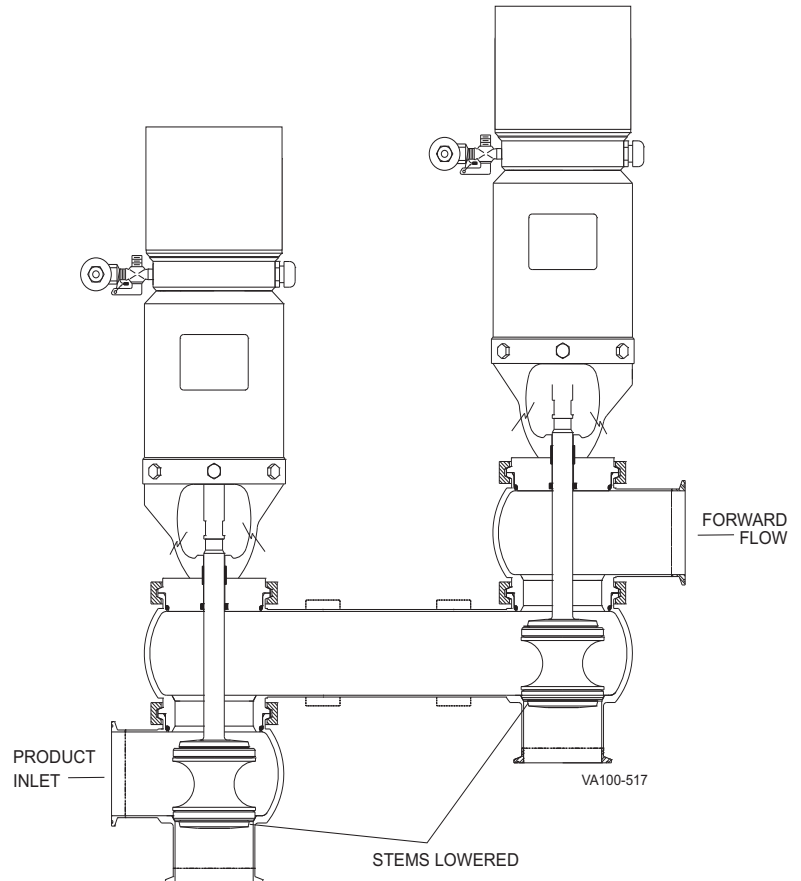


Figure 11: Forward Flow Mode

Maintenance

Maintenance Intervals

Maintain adequate stock of replacement parts. See the items in bold beginning on page 28 for recommended spare parts.

Maintenance intervals should be determined by the user and specific application, based on the following conditions:

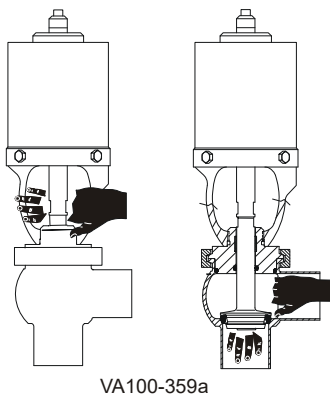
- Daily operation period
- Switching frequency
- Application parameters such as temperature, pressure, and flow
- Product type

Inspection

Inspect the following on a regular basis:

⚠ DANGER

Do not put a hand into the yoke or body of a pneumatically actuated valve.



VA100-359a

- Actuator connections for air leaks
- Valve body and stem O-rings
- Valve seats (If leakage occurs, see “Troubleshooting” on page 27.)
- Pneumatic connections:
 - Air pressure at supply connection
 - Air lines for kinks and leaks
 - Threaded connections for tight fit
 - Threaded stress relief for tight fit
- Electrical connections secure on the control module:
 - Wire connections tight on the terminal strip
 - Clean air filter at regular intervals.

Lubrication

No lubrication is required other than as noted in the disassembly and assembly procedures. (Use food grade non-petroleum (silicone) grease on seals and O-rings.)

Apply Bostik Never-Seez[®] White Food Grade with PTFE or equivalent to all bolts and threaded stem parts.

⚠ CAUTION

Avoid splashing any liquid into the air vent of the actuator during clean up.

Cleaning

NOTE: *Actuate each valve a minimum of twice each cycle to ensure effective cleaning and sanitizing.*

Cleaning-In-Place (CIP)

CIP methods can be used to clean installed automatic valves without disassembly. Select methods based on the specific requirements of sanitarians and each application. Check with local chemical suppliers for the most effective cleaning agents and procedures.

Micro Switch

NOTE: The sensitivity of the switch is increased by moving the switch **toward** the stem and decreased by moving the switch **away** from the stem

(Figure 12, item shows the correct position of the Micro Switch when the valve is in Divert mode. This position allows the switch to give a signal when the valve opens and the roller moves out of the groove, and also gives an indication if the valve seat is worn excessively (the stem moves up and the roller is out of the groove).

When the roller is out of the groove, the timing pump will not start. The width of the groove in the stem is manufactured to be 1/16th inch wider than the roller to compensate for vibration and heat expansion.

The switch roller should be positioned against the lower shoulder of the groove.

Callouts for (Figure 13, item:

- A - Groove width: 0.241
- B - Groove Depth: 0.050
- C - Stem
- D - Roller Travel: 0.063
(to allow cold flow of the Tef-Flow™ P seat ring)

Micro Switch Adjustment

1. With the valve in Divert Position (stem raised), adjust the switch up or down so the roller on the switch arm is in the groove against the upper shoulder on the indicator stem. Adjust the switch position using the two cap screws (Figure 14, item A) on the switch plate (Figure 14, item B).
2. Hand-tighten the cap screws to lock the switch in position.
3. Open the valve by applying air to the actuator. This will raise the stem.
4. Move the switch toward the indicator stem until the switch clicks.

NOTE: The position where the switch clicks or makes the circuit can be confirmed by using a volt ohm meter connected to the common and normally open contacts on the switch.

5. The correct adjustment is the point at which the switch just clicks.
6. When the adjustment point is found, tighten the cap screws to secure the position.
7. Remove the air from the actuator to raise the stem. The roller should be in the groove.

The circuit should be open when the roller is in the groove and closed when the stem is lowered. If this is not the case, confirm that the roller is in the groove when the stem is raised; then repeat steps 3 through 6.

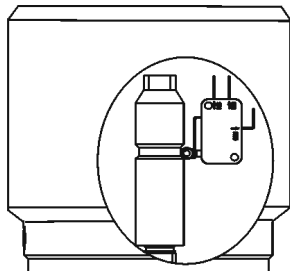


Figure 12: Micro Switch

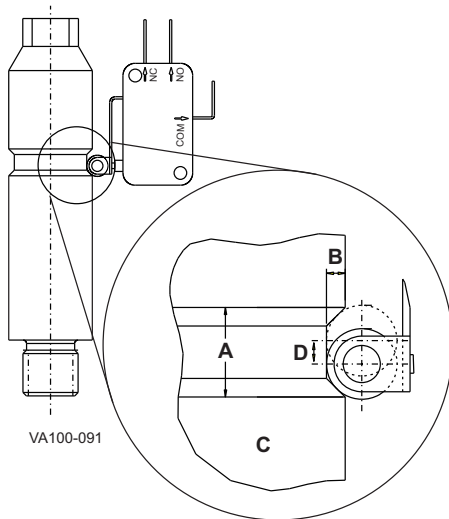


Figure 13: Detail of the Micro Switch Position for Divert Mode

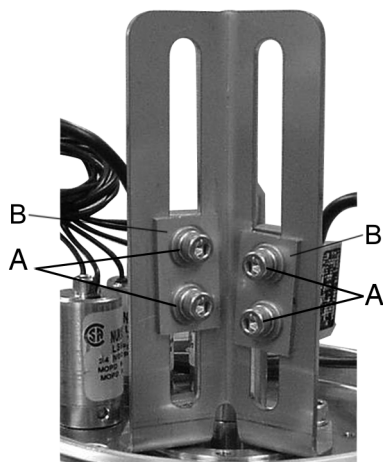
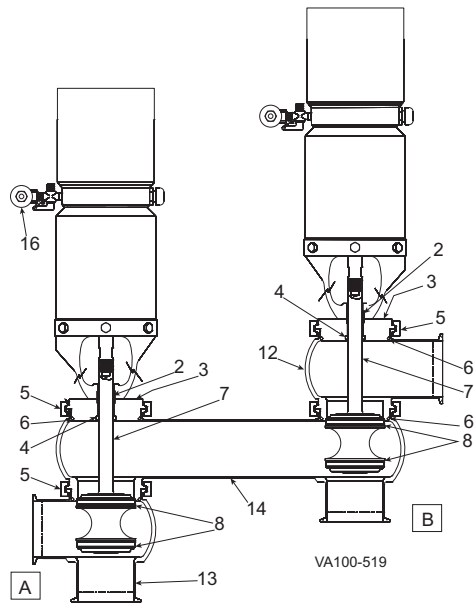


Figure 14: Control Module Detail

Disassembly



A. Divert Valve B. Leak Detect Valve

Figure 15: Disassembly

- | | |
|----------------|-----------------|
| 2. Bearings | 8. Seat ring |
| 3. Adapters | 12. Upper body |
| 4. Stem O-ring | 13. Lower body |
| 5. Body clamp | 14. Common body |
| 6. Body O-ring | 16. Inlet port |
| 7. Valve stem | |

NOTE: Lubricate all O-rings with Dow[®] Corning #7 Silicone lubricant (or equivalent) and apply an anti-seize compound with Teflon[®] (for stainless steel) to all threads. The upper stem and lower stem should be tightened with 5/8-inch open-end wrenches. Do not use long wrenches or the wrench handles to tighten the stems. Over-tightening will damage the stems.

⚠ CAUTION

Remove the actuator from the valve before starting any service work on the actuator.

1. Drain the water or product from the system.
2. Disconnect the product lines, air connections, and electrical connections to the valves.
3. Open both mounting brackets.
4. Lift the valve assembly from the brackets and place it on a bench where the parts can be inspected and set aside during the disassembly process.

Lower Body Disassembly

1. Remove the lower body clamp (item 5) and lower body (item 13) from the divert valve (A).
2. Apply air to the inlet port to lower the stem on the divert valve.
3. Using 5/8-inch wrench flats on the stem, unscrew and remove the valve stem (item 7).
4. Shut off the air and disconnect the air line to the actuator.
5. Remove the common body clamps (item 5) on the divert valve and leak detect valve. Remove the common body (item 14).
6. Apply air to the inlet port (item 16) to lower the stem on the leak detect valve (B).
7. Using 5/8-inch wrench flats on the stem, unscrew and remove the valve stem (item 7).
8. Shut off the air and disconnect the air line to the actuator.
9. Remove the upper body clamp (item 5) and upper body (item 12) on the leak detect valve (B).
10. Replace the seat rings (item 8) as needed.
11. Unscrew the adapters (item 3) from the yokes.
12. Remove the body O-rings (item 6) and stem O-rings (item 4); replace as needed.
13. Inspect and replace PTFE bearings (item 2) as needed.

Actuator Removal - Divert Valve

1. Remove the body clamp (Figure 15, item 5) and remove the middle body of the Divert Valve (A).
2. Raise the valve stem on the Divert Valve (A) by connecting an air line to the air inlet.
3. Remove the body clamp around the upper body and adapter.
4. Remove the air supply to the actuator.
5. Remove the upper stem/adapter/actuator assembly from the upper body.
6. Unscrew and remove the upper valve stem from the actuator lower stem by using two 5/8-inch open-end wrenches in the yoke area.
7. Inspect the O-ring and Teflon[®] bearing in the adapter.

⚠ CAUTION

Remove the actuator from the valve before starting any service work on the actuator.

Assembly

NOTE: Lubricate all O-rings with Dow[®] Corning #7 Silicone lubricant (or equivalent) and apply an anti-seize compound with Teflon[®] (for stainless steel) to all threads. The upper stem and lower stem should be tightened with 5/8-inch open-end wrenches. Do not use long wrenches or the wrench handles to tighten the stems. Over-tightening will damage the stems.

Actuator Removal - Leak Detect Valve

1. Remove the clamp ((Figure 15, item, Item 5) between the middle and upper body of the Leak Detect Valve.
2. Remove the middle body of the Leak Detect Valve.
3. Open the Leak Detect Valve by connecting pressurized air to the actuator.
4. Remove the clamp around the top of the upper body and adapter.
5. Remove the air pressure from the actuator.
6. Remove the upper body from the stem/adapter/actuator assembly.
7. Unscrew and remove the upper valve stem from the actuator lower stem by using two 5/8-inch open-end wrenches in the yoke area.
8. Inspect the O-ring and Teflon[®] bearing in the adapter.

Reassemble in reverse order of the instructions above.

Lower Body Assembly

1. Screw the adapters (item 3) onto the yoke.
2. Install the body O-rings (item 6), stem O-rings (item 4) and PTFE bearings (item 2).
3. Assemble the upper body (item 12) on the leak detect valve (B) to the adapter. Secure it with the upper body clamp (item 5).
4. Apply air to the inlet port to lower the stem on the leak detect valve.
5. Using 5/8-inch wrench flats on the stem, install the valve stem (item 7). Tighten to 380 in/lbs.
6. Release the air pressure.
7. Install the common body O-ring (item 6).
8. Assemble the common body (item 10); secure it with common body clamps (item 5).
9. Apply air to the inlet port (item 16) to lower the stem on the divert valve (A).
10. Using 5/8-inch wrench flats on the stem, install the valve stem (item 7). Tighten to 380 in/lbs.
11. Release the air pressure.
12. Install the common body O-ring (item 6).
13. Assemble the lower body (item 13); secure with the lower body clamp (item 5).

CAUTION

Although WCB fully-maintainable actuators are designed with a contained spring for safety, always use caution when handling any piston/spring assembly as any compressed coil spring can be extremely dangerous.

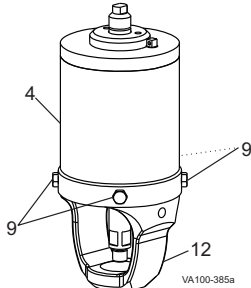


Figure 16: Remove Yoke



Figure 17: Remove Yoke O-ring and Guide Bearing

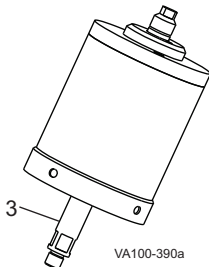
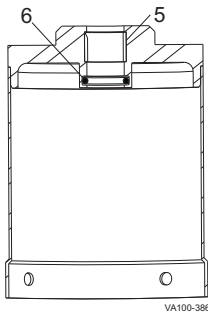


Figure 18: Pull Lower Stem



O-ring and Bearing Replacement: 4", 5", and 6" Actuator

1. Remove the cap screws (Figure 10, item 9) and pull the yoke (item 12) from the actuator cylinder (item 4).
2. Remove the yoke (Figure 11, item 4). Inspect the lower stem O-ring (item 6) and cylinder O-ring seals (item 7).
3. Remove the worn O-ring seals. Coat the new O-ring seals with Dow Corning® #7 Silicone Lubricant or equivalent, and replace them.
4. Remove the PTFE guide bearing (Figure 11, item 5) by placing a screwdriver behind the bearing to pry it away from the wall of the yoke. Use needle-nose pliers to grip and remove the bearing.
5. Pull the lower stem (Figure 12, item 3) to remove the caged spring assembly from the actuator cylinder.

DANGER

Do not use air to remove the caged spring assembly.

6. Remove and inspect the upper stem O-ring (Figure 13, item 6) in the top of the actuator cylinder.
7. Remove the worn O-ring seals. Coat the new O-ring seals with Dow Corning® #7 Silicone Lubricant or equivalent, and replace them.
8. Inspect and replace the PTFE guide bearing (Figure 13, item 5) in the actuator cylinder as needed.

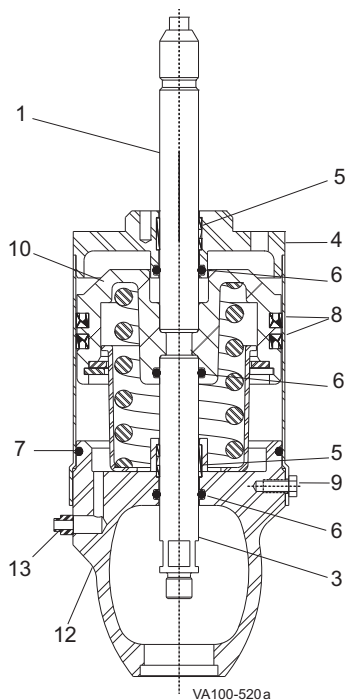


Figure 20: 4" and 5" Actuator

U-cup Replacement: 4" and 5" Actuator

1. Inspect the piston U-cup seal (Figure 14, item 8).
2. Remove the worn U-cup seal. Do not score or nick grooves in the piston (item 10).
3. Coat the new U-cup seal with Dow Corning® #7 Silicone Lubricant or equivalent.
4. Slightly stretch the lubricated seal to fit over the piston. Install the lower seal first with the "U" pointing down. Install the upper seal with the "U" pointing up. U-cup seals flare slightly at the outer edges when they are properly installed.
5. Place the piston and spring assembly in the cylinder.
6. Place the cylinder over the yoke, and install cap screws (item 9) to secure it.

NOTE: If the stems were disassembled during this maintenance procedure, clean, prime, and apply Loctite® 2440 Thread Locker, according to manufacturer's specifications, to the upper (item 1) and lower (item 3) stems. Torque the stems to 200 in/lbs.

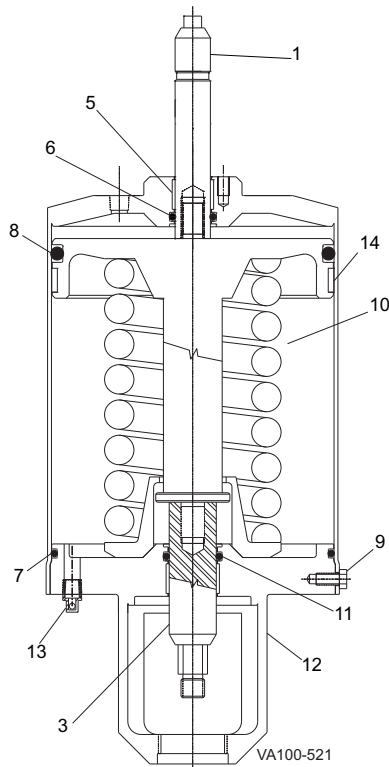


Figure 21: 6" Actuator

O-ring and Bearing Replacement: 6" Actuator

1. Inspect the piston O-ring seal (Figure 17, item 8).
2. Remove the worn O-ring seal. Do not score or nick grooves in the piston (item 10).
3. Coat the new O-ring seal with Dow Corning® #7 Silicone Lubricant or equivalent.
4. Slightly stretch the lubricated seal to fit over the piston.
5. Inspect and replace the PTFE guide bearing (item 14) on the piston as needed.
6. Place the piston and spring assembly in the cylinder.
7. Place the cylinder over the yoke, and install cap screws (item 9) to secure it.

NOTE: If the stems were disassembled during this maintenance procedure, clean, prime, and apply Loctite® 2440 Thread Locker, according to manufacturer's specifications, to the upper (item 1) and lower (item 3) stems. Torque the stems to 400 in/lbs.

Removal and Installation of Tef-Flow™ P Seat Rings

Tef-Flow™ P seats are gray and must be melted through for proper removal.

1. Melt through the seat ring using a clean plastic cutting tip on a heavy-duty soldering iron capable of maintaining a 700°F (371°C) tip temperature.

⚠ CAUTION

Do not use a knife to cut the seat ring from the stem to avoid personal injury and/or damage to the stem.

2. To install a new seat, place the installation tool base onto a table or bench with a 1.0" (25 mm) hole (Figure 22, item B). For tool part numbers, see "Installation Tools" on page 36.
3. Place the stem through the hole in the base.
4. Place a new seat ring (item C) onto the stem with the seat angle (item D) and flat side facing away from the base as shown in Figure 22.
5. Place the seat ring tool (Figure 22, item A) over the seat ring. For tool part numbers, see "Installation Tools" on page 36.
6. Using an arbor press, apply a constant steady pressure to the seat ring tool, snapping the seat ring into place.

⚠ CAUTION

DO NOT use a hammer to install.

7. The valve seat will spin freely when properly installed.

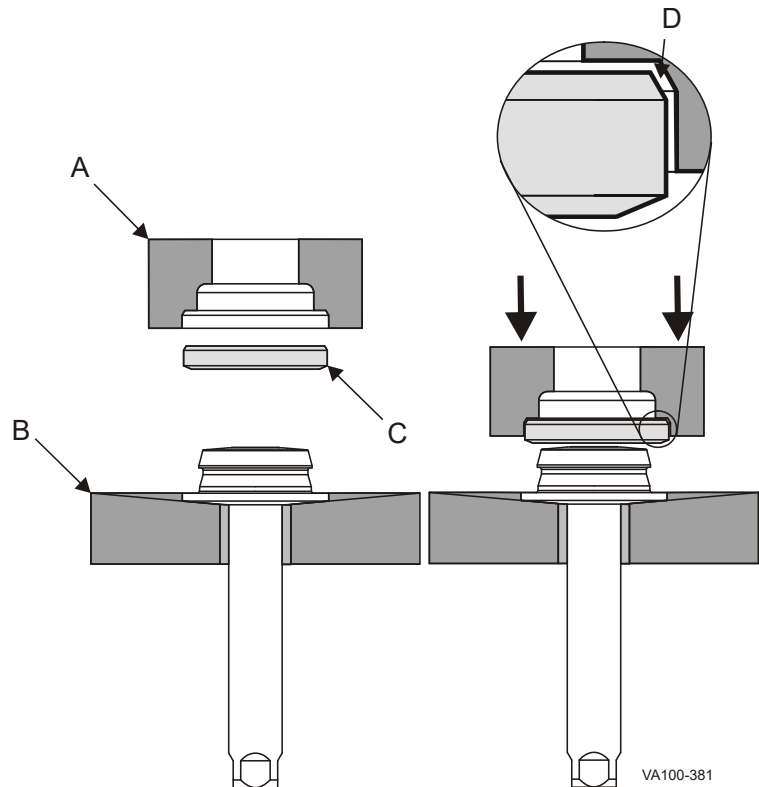


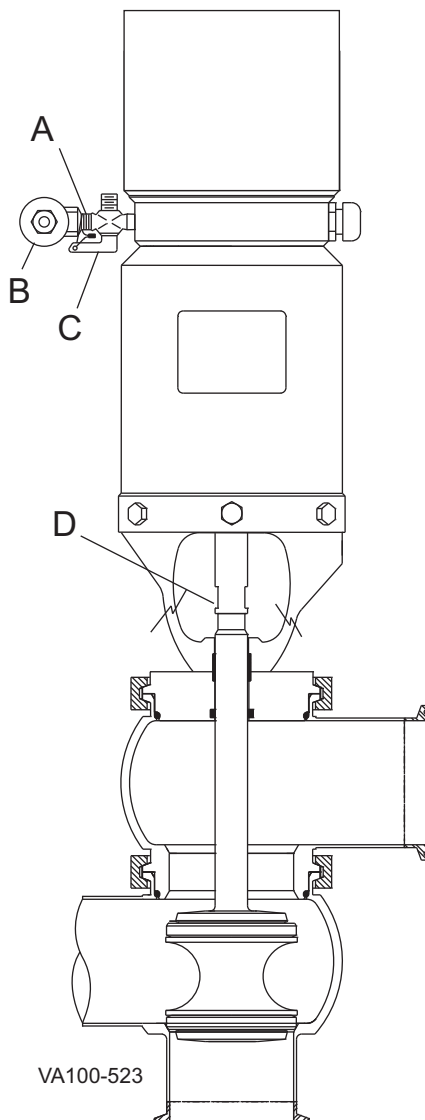
Figure 22: Tef-Flow™ P Seat

Inspection Test Procedures

These procedures are used to check the assembly and operating condition of the Flow Diversion Device. As positive test results are obtained, attach the required **seal wire** (Figure 23, item A) in the locations specified by the procedure. Suggested corrective actions are presented at the end of each procedure in the event of test failure.

Test 1 - Device Assembled Correctly

Perform this test to verify that the Flow Diversion Device is properly assembled and adjusted. Check each valve independently, as follows, *beginning* with the Divert Valve.



VA100-523

- A. Seal Wire
- B. Quick Exhaust Valve
- C. Air Shutoff Valve
- D. Separate Here

Figure 23: Inspection Test Procedures

1. With the system temperature sub-legal, set FDV Switch to INSPECT.
2. All Flow Promoting Devices (Timing Pumps) must be de-energized and stopped.
3. The Divert Valve shifts to Forward Flow position (See Figure 11 on page 15). Break the **seal wire** (Figure 23, item A) on the Air Shutoff Valve handle (Figure 23, item C). Turn the handle 90 degrees to trap air in the actuator. The actuator will remain in the lowered position.
4. Set the FDV Switch to PROCESS (product/run) and the Mode Switch to AUTO. The Flow Promoting Device (Timing Pump) shall not run.
5. Set the Mode Switch to OFF. Slowly open the Air Shutoff Valve (Figure 23, item C) until the valve stem moves up approximately 1/2 inch, then close the Air Shutoff Valve.
6. Using two 5/8-inch open-end wrenches, unscrew the valve stem from the lower actuator stem about 1/8 inch (Figure 23, item D ("Separate Here")). Open the Air Shutoff Valve (item C) again. The stem will raise to the Divert position.
7. Set the Mode Switch to PROCESS. The Flow Promoting Device (Timing Pump) shall not run.
8. Repeat steps 1, 2, 3, and 4. Tighten the valve stem to raise the actuator stem, using two 5/8-inch open-end wrenches. Return the Air Shutoff Valve (Figure 23, item C) to its normally open position. Attach a new **seal wire** (item A) through the handle of the Air Shutoff Valve (item C).
9. Repeat steps 1 through 8 for the Leak Detect Valve.

Corrective Action

If the Flow Promoting Device (Timing Pump) fails to respond as indicated in the procedure above, immediately check the Flow Diversion Device assembly and wiring to locate and correct the cause. *Check the Micro Switch adjustment first* (see page 17).

Test 2 - Time Delay Interlock with Metering Pump

Method

Determine that the device does not assume a manually induced Forward Flow position while the metering pump is running.

Procedure

With the system running in Forward Flow, move the control switch to the INSPECT position and observe that the following events automatically occur in sequence:

1. The device immediately moves to the Divert position and the metering pump is turned off.
2. The device remains in the Divert position while the metering pump is running down.
3. After the metering pump stops turning, the device assumes the Forward Flow position.
4. Repeat the above procedure by moving the control switch to the Clean-in-Place (CIP) position.
5. Record the test results and seal the control enclosure.

Corrective Action

If the above sequence of events does not occur, either a timer adjustment or a wiring change is required.

Test 3 - CIP Time Delay Relay

Application

For all high-temperature, short-time pasteurizer systems in which it is desired to run the timing pump and/or other Flow Promoting devices during the CIP cycle.

Frequency

Upon installation and semi-annually thereafter, or whenever the seal on the Time Delay Relay is broken.

Criteria

When the mode switch on the Flow Diversion Device is moved from Process Product to CIP, the Flow Diversion Device shall move immediately to the Divert Flow position and remain in the Divert Flow position for at least 10 minutes before starting its normal cycling in the CIP mode. Simultaneously, the booster pump shall be turned off and shall not run during the 10 minute time delay.

APC Control Panel Switch Adjustment for W262 and W282

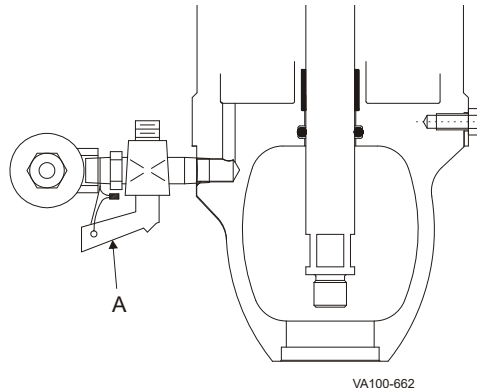


Figure 24: Air Shutoff Valve

NOTE: Fine adjustment of the up and down position of the switch is made so the test for correct assembly (page 23) can be performed as described.

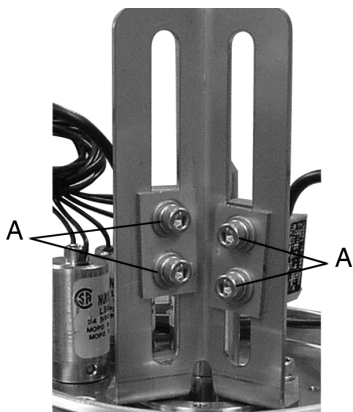


Figure 25: Control Module Detail

The APC control panel is designed to work with two switches in each control head. The control panel originally moved the valve stem down to go to Forward Flow.

The Waukesha Cherry-Burrell brand W262 raises the stem to go to Forward Flow.

Therefore, the switches shown as MS1 and MS3 in the APC manual are the lower switches in the W262 and MS2 and MS4 are the upper switches in the control head. The lower switches are the indication of seat wear and correct assembly of the valve. These switches should be adjusted first, with the upper switches moved so they do not contact the stem.

Micro Switch indicator stem replacements are required with the APC control panel to allow use of two (2) switches:

- 4" Actuator - Part number 118942+
- 5" Actuator - Part number 118943+
- 6" Actuator - Part number 110901+

Use the electrical schematic shown in Figure 8 on page 12 for connecting control modules to the APC control panel.

Lower Switch Adjustment

1. Actuate the valve to raise the stem.
2. Turn the "Air Shutoff Valve" (Figure 24, item A) to lock air in the actuator.
3. Loosen the cap screw (Figure 25, item A) that holds the switch mounting block in position.
4. Move the switch toward the stem until the switch roller is close to breaking the circuit (Figure 26 on page 26).
5. Hand-tighten the cap screw to hold the mounting block and switch in this position.
6. Open the Air Shutoff Valve to release air from the actuator.
7. Move the switch up or down until the roller is in the groove marked "A" (Figure 26 on page 26).
8. Move the switch down in the groove until it is close to breaking the circuit. Tighten the cap screws (Figure 25, item A).

Upper Switch Adjustment - Divert Valve

This switch is used to indicate the flush mode. The switch opens the circuit to the divert light. In the Flush mode there will be no divert light and no Forward Flow light. The "no light" condition should exist for only a few seconds while the valve is in Flush mode.

1. Put the valve in Forward Flow mode, stem raised.
2. Loosen the cap screw that holds the switch mounting and block.
3. Move the switch up or down until the switch is just above the notch in the stem (Figure 26 on page 26).

4. Move the switch until the circuit breaks (clicks). Tighten the cap screws to hold the switch in position.
5. Put the valve in Divert mode, stem lowered. Check that the switch roller is resting on or slightly above the 45 degree bevel on top of stem (Figure 26).
6. Confirm that the switch is completing the circuit.

Upper Switch Adjustment - Leak Detect Valve

This switch confirms the valve is correctly in the Divert position and also indicates when the valve is in the Forward Flow mode.

1. Put the valve in Forward Flow mode, stem raised. Adjust the switch up or down so the roller rests on the upper part of the stem (Figure 26).
2. Loosen the cap screw which holds the switch mounting block.
3. Move the switch toward the stem until it clicks. *A green light should indicate Forward Flow.* Hand-tighten cap screws.
4. Put the valve in Divert mode, stem lowered.
5. Adjust the switch up or down so the roller is resting on or slightly above the 45 degree bevel on top of stem (Figure 26).
6. Tighten the cap screws to secure the position.

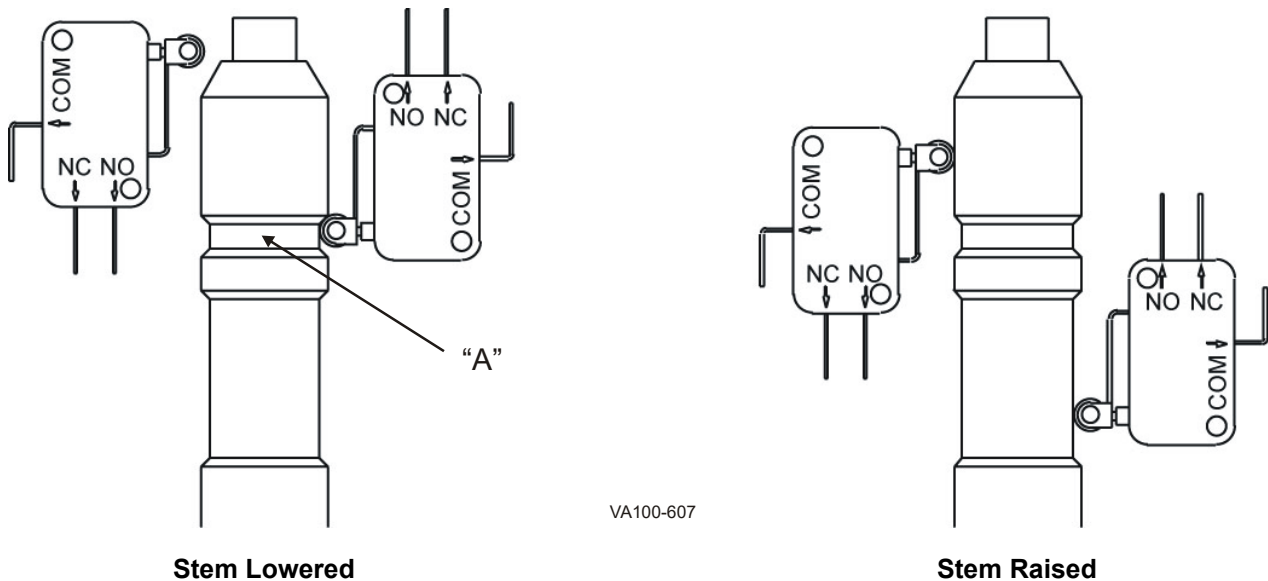


Figure 26: Groove "A" Location

Troubleshooting

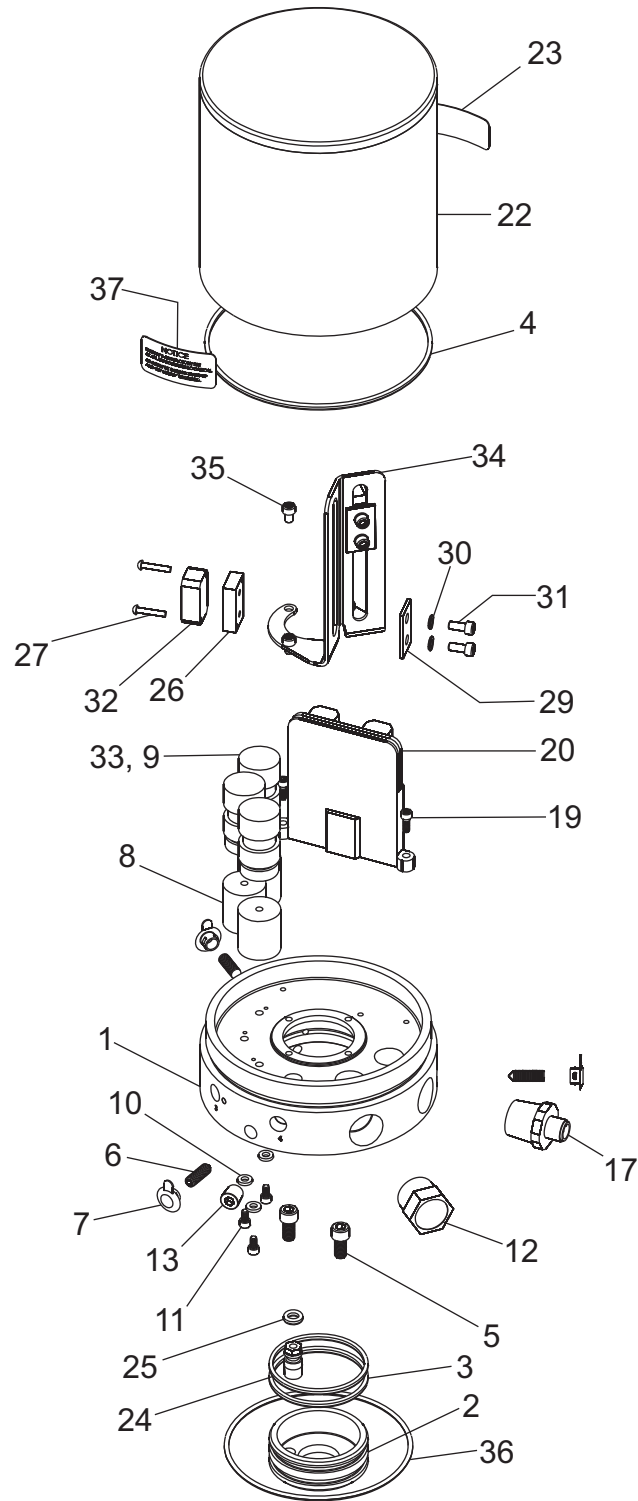
PROBLEM	POSSIBLE CAUSE	SUGGESTED ACTION
Leakage		
Leakage from inside port with valve closed	Seat ring failure	Replace seat rings.
	Debris trapped in valve seats	Remove valve from service. Inspect and replace seat as needed.
	Seat ring not on valve body seat	Check actuator for function.
	Stem loose	Tighten actuator stems. Tighten valve stem to actuator stem in yoke.
	Actuator loose at adapter	Remove body and stem. Tighten adapter as needed.
Leakage around yoke	Internal stem adapter O-ring failure	Replace O-ring.
	External body adapter O-ring failure	Replace O-ring.
Operation		
Valve fails to open	Air pressure too low	For standard spring actuators, set air pressure to 50 psi (3.4 bar). For heavy-duty spring actuators, set air pressure to 75 psi (5.2 bar).
	Control failure	Check control sequence. Check control wiring and power source.
Valve fails to close	Control failure	Check control sequence. Check air supply. Check for loose stems. Check control wiring and power source.
	Debris trapped in valve seat	Remove valve from service. Inspect and replace seat as needed.
Actuator moves when valve opens	Clamp loose	Tighten clamp with valve open.
	Yoke loose	Tighten yoke to adapter by turning actuator.
Slow valve operation	Air not exhausting fast enough	Install quick exhaust. Move solenoid closer to valve or install in control top.
	Valve not opening fast enough	Use a bigger diameter air line.

Electrical

For control top/control module information, refer to the *Installation* section starting on page 10, as well as publication 95-03083. For additional product information, please visit www.spxflow.com/en/waukesha-cherry-burrell/resources/product-literature.

Parts Lists

W-Series 2 Piece Control Module with Micro Switches



VA100-649a

W-Series 2 Piece Control Module with Micro Switches

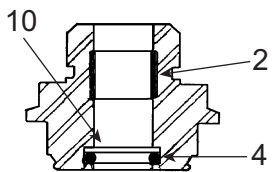
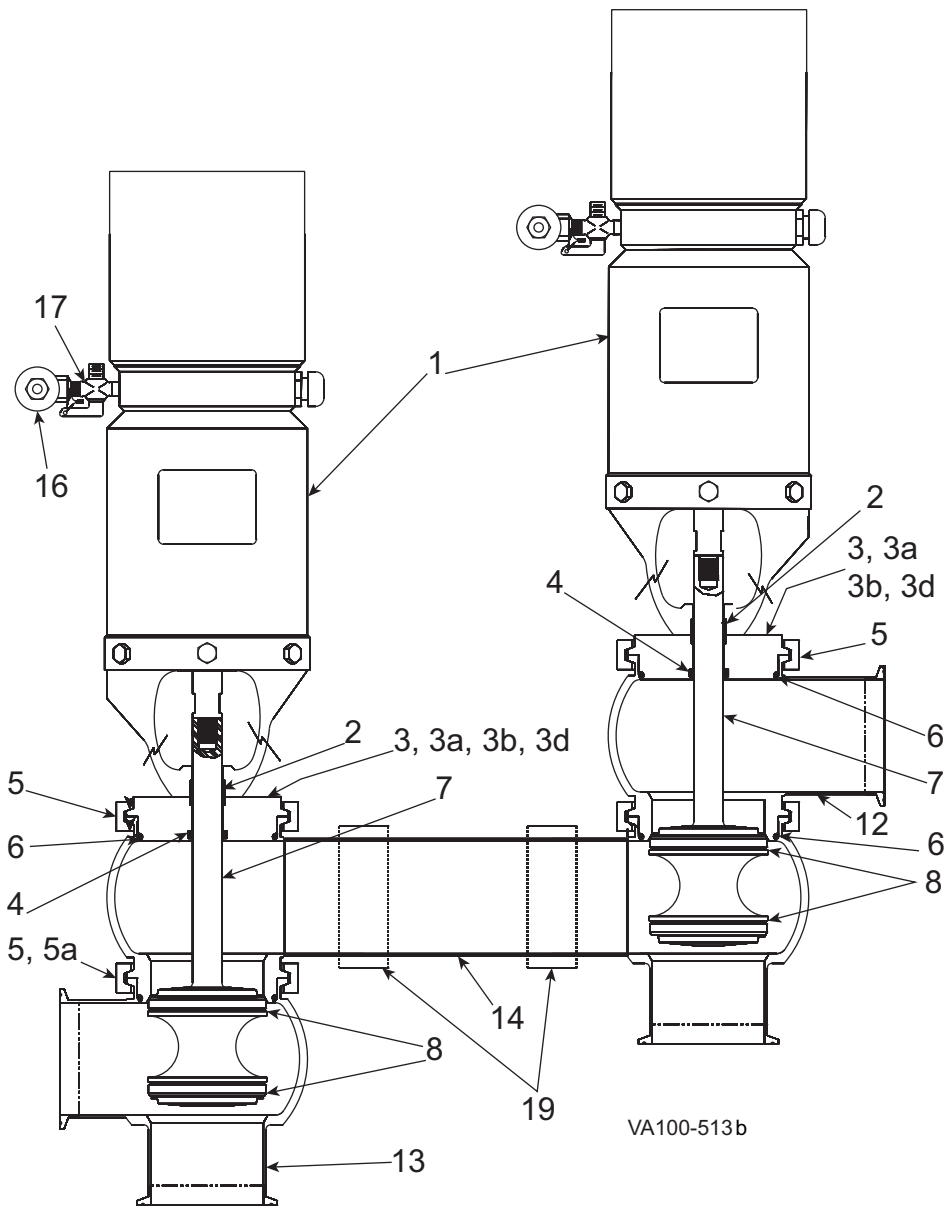
Item #	Part Description	Part No.	Notes
1	Base - w/ effector Clipp. Solenoid Control Module	119579+	
2	Mounting Cup - Control Module	119557+	
3	O-ring	N70134	
4	O-ring	N70157	
5	SCHS - 1/4-28 x .50", 18-8 SS	119625+	
6	Set Screw - 1/4-20 x .75", 18-8 SS, Cone Point	119624+	
7	Push in Plug w/ Tab, 3/8"	121659+	
8	Booster - Solenoid Valve, Clippard	112467+	4
9	Solenoid Valve - Clippard 24VDC	112468+	
10	Washer - #6 Nylon x .062"	120067+	
11	SHCS - 6-32 x .25", 18-8 SS	119626+	
12	Breather Plug	112470+	
13	Pipe Plug - 1/8-27 NPT	78-73	
14	Nylon Washer #10	17-111	1
15	SHCS - 10-32 x .25", 18-8 SS	30-519	1
17	Cable Strain Relief	17-88	
18	Terminal Block Assembly	119645+	2
19	SHCS - 6-32 x .375", 18-8 SS	119627+	3
20	Effector AS-I Slave Card (optional)	112469+	
	Device Net Card - Interlink 4 in/4 out (optional)	123648+	
22	Cover Assembly - Standard Control Module	123779+	
	Cover - Long Stroke	119562+	
23	Warning Label ("Disconnect All Power Before Removing")	5902473+	
24	Vent Plug - Control Module	119599+	
25	O-ring	N70107	
26	Switch Block	116297+	
27	Screw - #4-40 RHMS x .62	30-69	
29	Switch Plate	116296+	
30	Washer Lock, # 8, 18-8 Regular	43-20	
31	SHCS 8-32 x .375 18-8 SS	125719+	
32	Micro Switch	17-9	
33	Solenoid Valve - Numatics 120VAC	122237+	
	Solenoid Valve - Numatics 24VAC	122238+	
	Solenoid Valve - Numatics 24VDC	122239+	
34	Bracket-Micro Switch Mounting	121371+	
35	SHCS 8-32 x .25 18-8 SS	30-176	
36	O-ring	N70044	
37	Label-Switch Adjustment-Rad "Notice: Switches are factory set..."	112094+	5

PL5027-CH74a

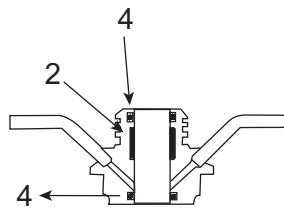
Notes:

1. Not shown - used to plug hole when solenoid not used.
2. Not shown - used in place of AS-I or Device Net Card.
3. Used for both Terminal Block Assembly and Control Cards.
4. Used only with Clippard Solenoid
5. Label text: "Notice: Switches are factory set at an approximate location. Adjustment during start-up and use may be required."

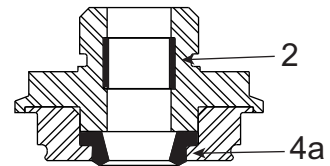
W262 / W282 FD HTST Divert Valves



(3a) High Pressure adapter



(3b) W80 Flush adapter



(3d) Wiping Stem Seal adapter

W262 / W282 FD HTST Divert Valve

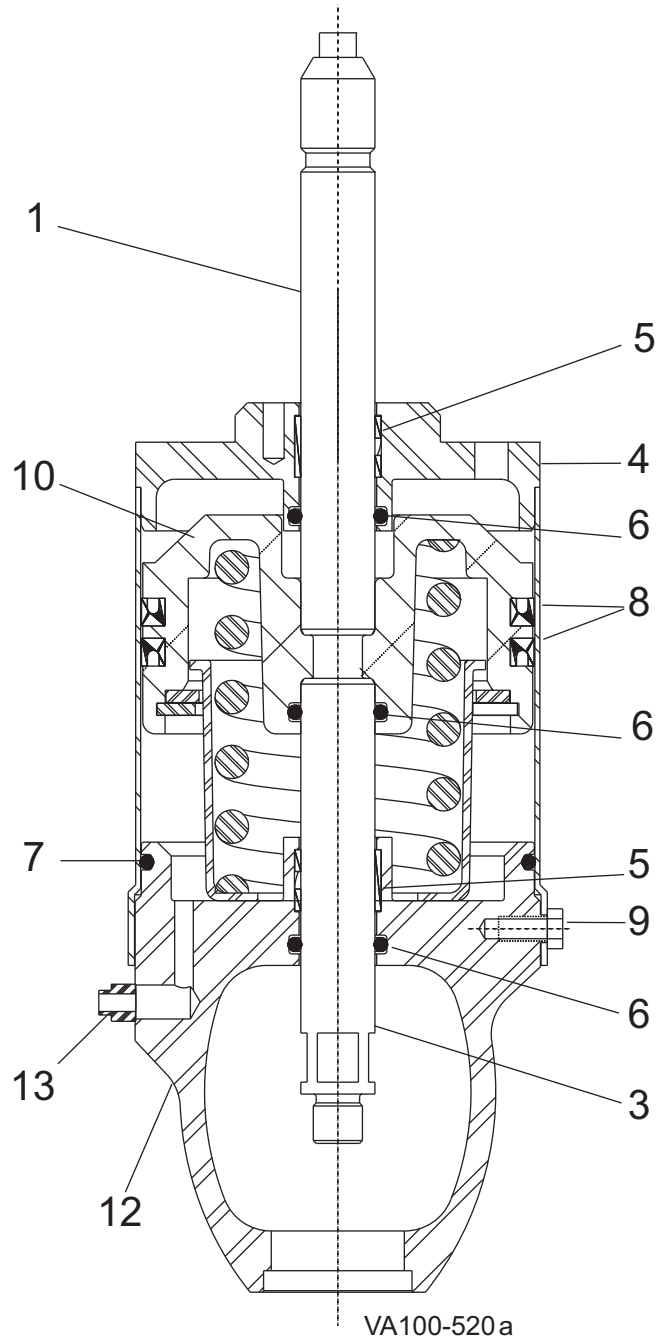
Item #	Part Description	1"	1-1/2"	2"	2-1/2"	3"	4"	Notes
	Control Top	Contact Factory						
1	Actuator	See actuator parts lists						
* 2	Bearing	102757+	102757+	102757+	102757+	102757+	102757+	
3	Adapter, Upper - W60 (Std.)	102406+	102406+	102407+	102408+	102409+	102410+	
3a	Adapter, High Pressure	W262 109293+	W262 109293+	W262 109294+	W262 109295+	N/A	N/A	
		W282 116925+	W282 116925+	W282 116926+	W282 116927+	N/A	N/A	
3b	Adapter, Upper - W80	106291+	106291+	106292+	106293+	106294+	106295+	2
3d	Adapter, Upper - Wiping Stem Seal	117879+	117879+	117880+	117881+	117882+	117883+	1
* 4	O-ring	EPDM E70210	EPDM E70210	EPDM E70210	EPDM E70210	EPDM E70210	EPDM E70210	
		FKM V70210	FKM V70210	FKM V70210	FKM V70210	FKM V70210	FKM V70210	
* 4a	Wiping Stem Seal	EPDM 116183+	EPDM 116183+	EPDM 116183+	EPDM 116183+	EPDM 116183+	EPDM 116183+	1
		FKM 115626+	FKM 115626+	FKM 115626+	FKM 115626+	FKM 115626+	FKM 115626+	
5	Clamp	Standard 119-30	Standard 119-30	Standard 119-33	Standard 119-34	Standard 119-51	Standard 119-87	
		High Pressure 119-271	High Pressure 119-271	High Pressure 119-272	High Pressure 119-273	N/A	N/A	4
* 6	O-ring, Body	EPDM E70223	EPDM E70223	EPDM E70228	EPDM E70232	EPDM E70236	EPDM E70244	
		FKM V70223	FKM V70223	FKM V70228	FKM V70232	FKM V70236	FKM V70244	
7a	Stem, Upper (less seat ring)	Tef-Flow™ 102423+	Tef-Flow™ 102424+	Tri Ring 102425+	Tri Ring 102426+	Tri Ring 102427+	Tri Ring 102428+	
		108154+	108155+	108156+	108157+	108158+	108159+	
* 8	Seat Ring	Tef-Flow™ P 115347+	Tef-Flow™ P 115347+	Tri Ring, EPDM 107692+	Tri Ring, EPDM 107695+	Tri Ring, FKM 107983+	Tri Ring, FKM 107989+	
		107692+	107692+	107695+	107048+	102488+	107698+	
		107983+	107983+	107986+	107982+	107974+	107989+	
10	High Pressure Backup Ring	BURT210	BURT210	BURT210	BURT210	N/A	N/A	
12	Body, Upper Tee	S-Line 104167+	S-Line 104171+	I-Line 104175+	I-Line 104179+	I-Line 104183+	I-Line 104187+	
		104165+	104169+	104173+	104177+	104181+	104185+	
13	Body, Lower Tee	S-Line 104143+	S-Line 104147+	I-Line 104151+	I-Line 104155+	I-Line 104159+	I-Line 104163+	
		104141+	104145+	104149+	104153+	104157+	104161+	
14	Body, Common Upper/Lower	111204+	111206+	111264+	111265+	111266+	111267+	3
		111205+	111207+	N/A	N/A	N/A	N/A	
16	Quick Exhaust Valve	5560525+	5560525+	5560525+	5560525+	5560525+	5560525+	
17	Air Shut-off	5560639+	5560639+	5560639+	5560639+	5560639+	5560639+	
19	Hanger	109064+	109241+	109242+	109243+	109244+	109384+	
20	High Pressure Clamp	119-271	119-271	N/A	N/A	N/A	N/A	
21	Gasket - FKM (not shown)	20-62	20-57	N/A	N/A	N/A	N/A	

PL5027-CH42

Notes

- * Recommended Spare Parts
P.O.A. - contact factory; N/A - not available in this design.
- Wiping stem seal adapter and wiping stem seal options available for W262 series valves only.
 - W80 adapter allows for liquid or steam flush of stem O-ring only.
 - 1" and 1-1/2" valves will be clamped together with a 13 MHP clamp.
 - High pressure body clamp required for valves equipped with high pressure adapter (item 3a).

W262 / W282 4" and 5" Actuators



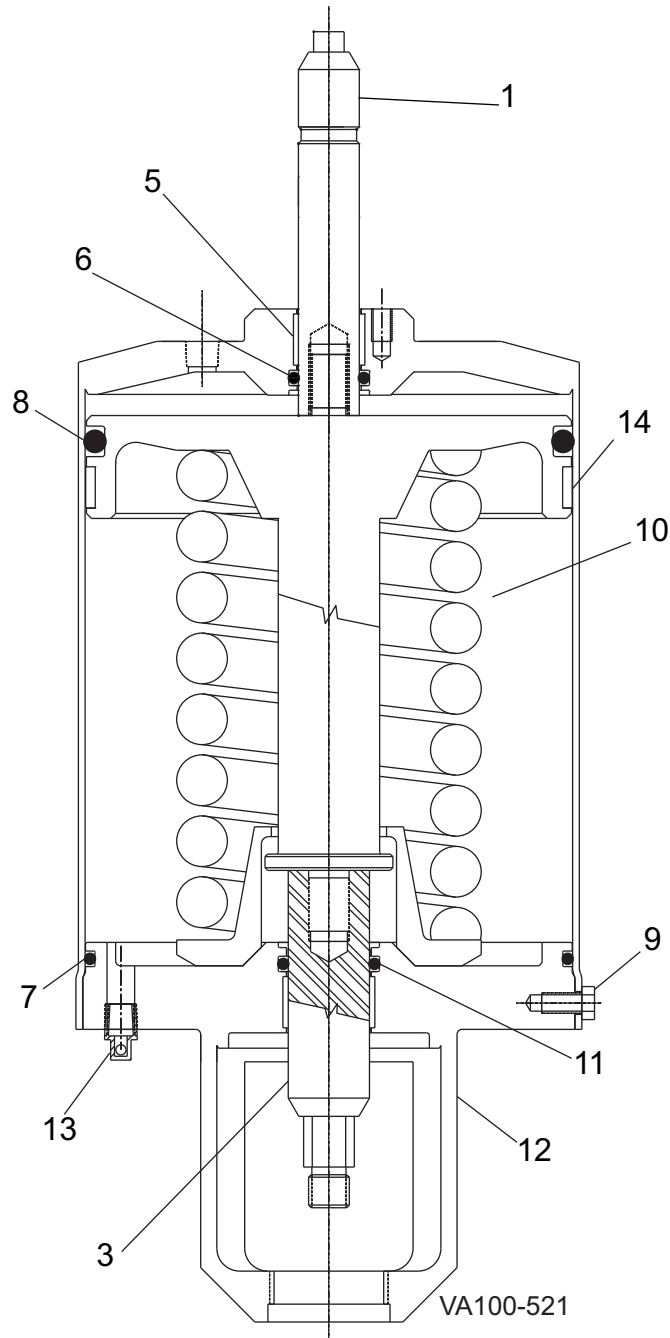
W262 / W282 4" and 5" Actuators

Item #	Part Description	4" Diameter	5" Diameter
1	Indicator Stem - Single MSW	118940+	118941+
3	Stem, Lower	102141+	102134+
4	Cylinder	102136+	102130+
* 5	Bearing	102757+	102757+
* 6	O-ring Nitrile	N70210	N70210
* 7	O-ring, Cylinder Nitrile	N70240	N70248
* 8	Seal, U-cup	57-15	57-13
9	Cap Screw, 1/4-20 x .375" lg.	30-68	30-68
10	Piston & Spring Assembly Standard Spring	118144+	118145+
		118146+	118147+
12	Yoke	102137+	102131+
13	Vent Plug	3023957+	3023957+

PL5027-CH194

* Recommended spare

W262 / W282 6" Actuator



W262 / W282 6" Actuator

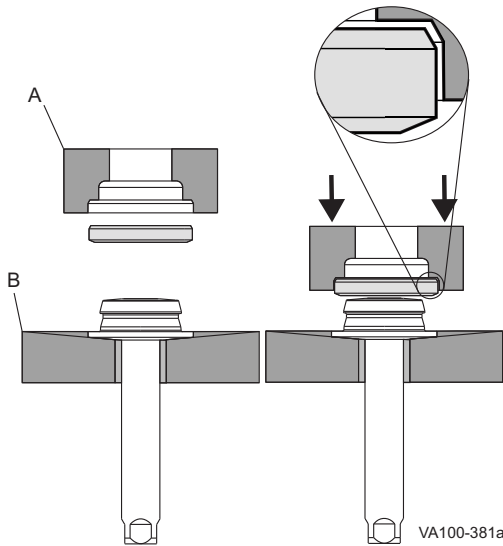
Item #	Part Description	6" Diameter
1	Indicator Stem - Single MSW	110899+
3	Stem, Lower	108825+
4	Cylinder	106007+
* 5	Bearing	102757+
* 6	O-ring Nitrile	N70210
* 7	O-ring, Cylinder Nitrile	N70255
* 8	O-Ring, Piston Nitrile	N70433
9	Cap Screw, 1/4-20 x .375" lg.	30-68
10	Piston & Spring Standard Spring Assembly Heavy-Duty Spring	110288+ 108832+
* 11	O-ring Nitrile	N70214
12	Yoke	138726+
13	Vent Plug	3023957+
* 14	Bearing, Piston	102052+
* 15	Bearing	106047+

PL5027-CH193

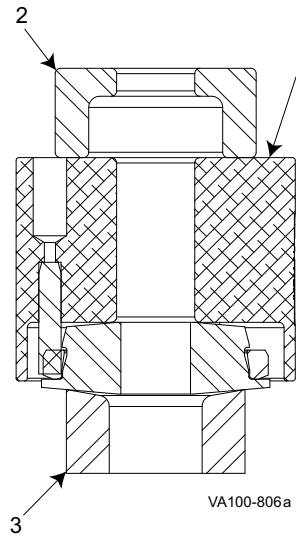
* Recommended spare

Installation Tools

Tef-Flow™ P Tools



Tef-Flow™ P Installation tools



Tef-Flow™ P Removal tools

Tef-Flow™ P Tool Kits	Part No.	Notes
Installation Tool Kit	135036+	Includes all items listed under "Installation"
Removal Tool Kit	133470+	Includes all items listed under "Removal"

Tef-Flow™ P Tools		Valve Size					
		1"	1-1/2"	2"	2-1/2"	3"	4"
Installation:							
A	Seat Installation Tool	115654+	115655+	115656+	115657+	115658+	
B	Install Base Tool	115653+					
Removal:							
1	Seat Removal Tool	133476+	133477+	133478+	133479+	133480+	
2	Puck	132900+					
3	Install Base Tool, Upper Stem Insert	131301+					

PL5027-CH66d



SPX FLOW, Inc.

611 Sugar Creek Road

Delavan, WI 53115

P: (262) 728-1900 or (800) 252-5200

F: (262) 728-4904 or (800) 252-5012

E: wcb@spxflow.com

SPX FLOW, Inc. reserves the right to incorporate our latest design and material changes without notice or obligation.

Design features, materials of construction and dimensional data, as described in this bulletin, are provided for your information only and should not be relied upon unless confirmed in writing.

Please contact your local sales representative for product availability in your region. For more information visit www.spxflow.com.

The green ">" is a trademark of SPX FLOW, Inc.

ISSUED: 01/2020

COPYRIGHT © 2020 SPX FLOW, Inc.